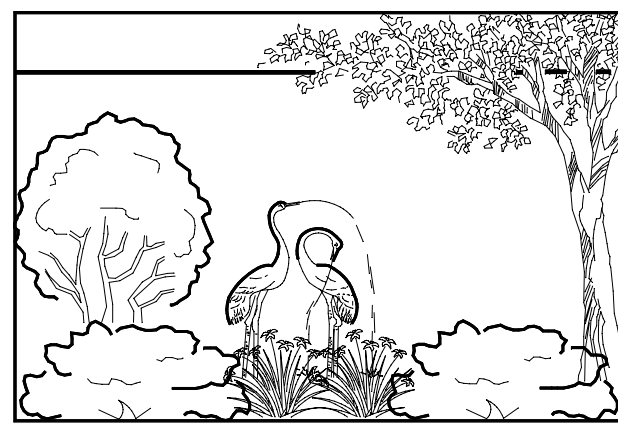
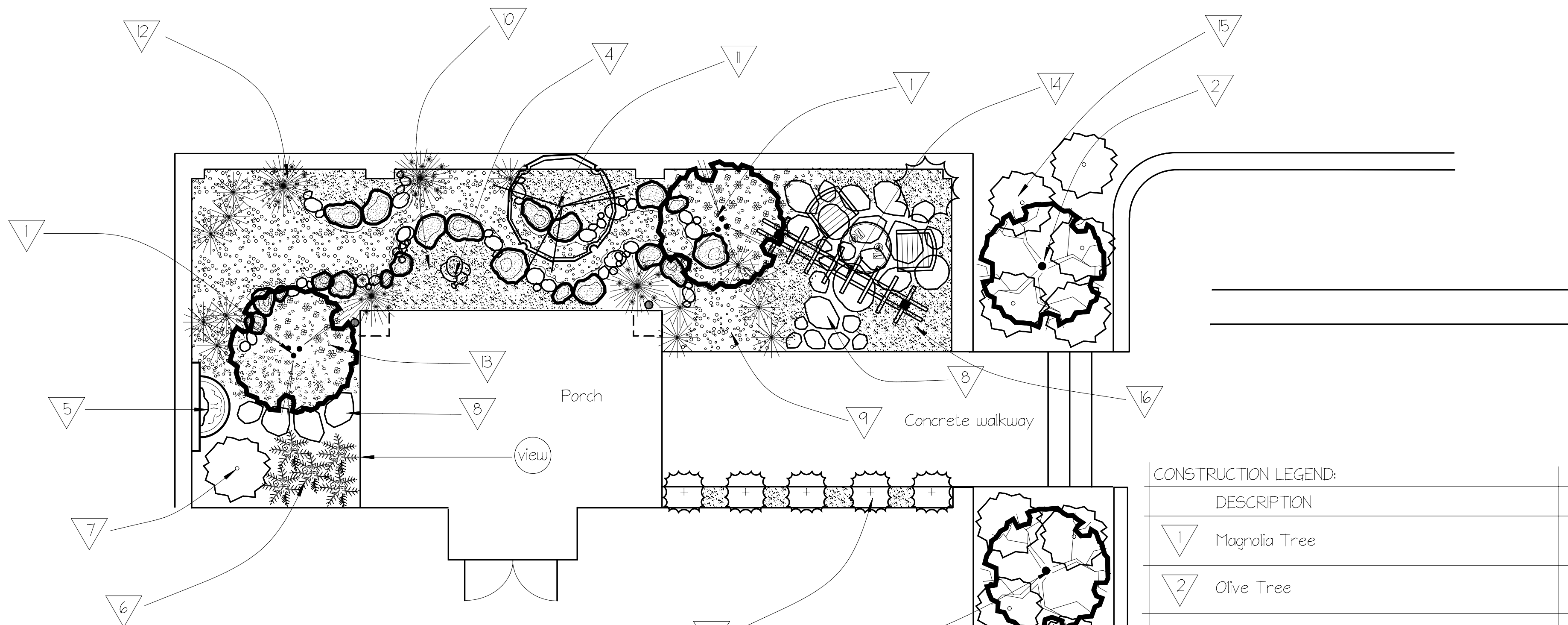
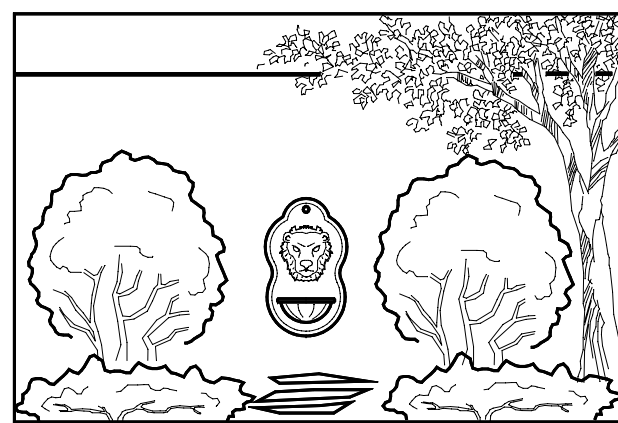


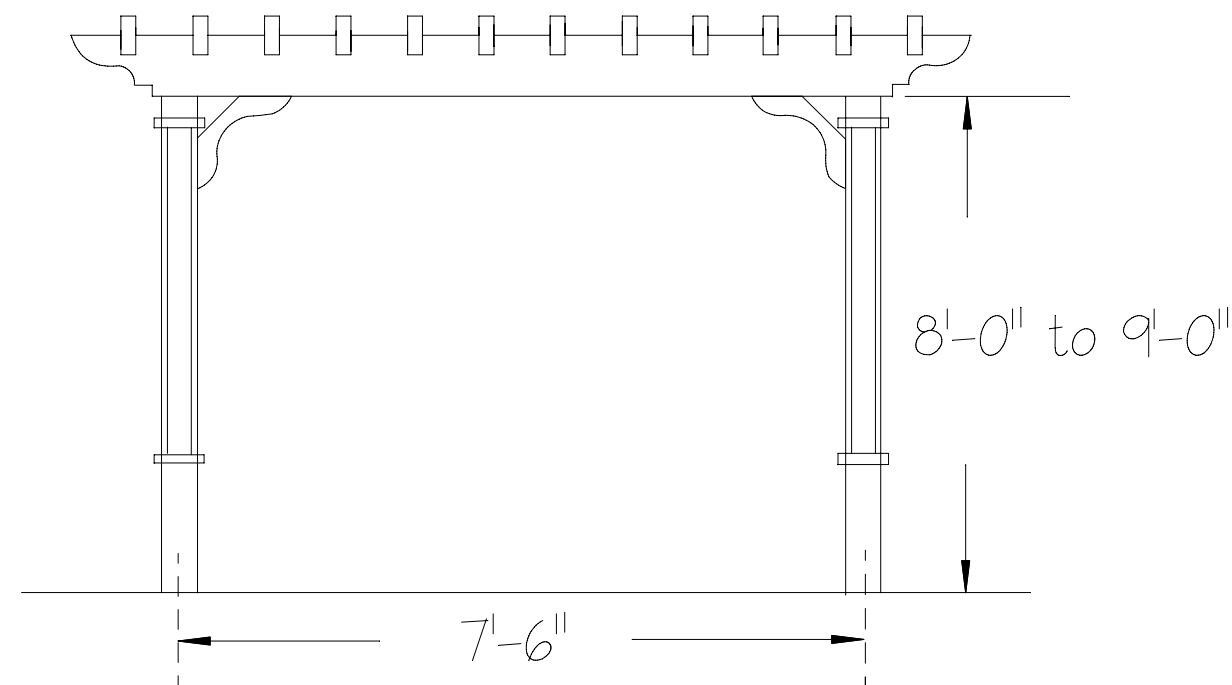
Donohew Residence



View A



View B



Arbor Details

CONSTRUCTION LEGEND:

DESCRIPTION
1 Magnolia Tree
2 Olive Tree
3 Italian Cypress along walk way
4 Statuary Focal Point
5 Wall fountain or another waterfeature
6 Ferns
7 Evergreen shrub 4'-6' tall
8 Flagstone path way
9 Dry Stream Bed
10 Rosemary Ground cover
11 Specimen Tree for focal interest
12 Perennial Grasses (ie) Maiden Grass
13 Creeping lilyturf w/ violet, purple, or white flowers in summer
14 Arbor
15 Indian hawthorn
16 Existing Date Palm Tree

No.	Date	Description



SCALE 1/4"=1'-0"	PROJECT NO. 103
DRAWN BY Lloyd	SHEET NO. 1
DATE 7/20/07	
DATE OF PRINT 7/20/07	